

Multiform - 9/10m - ht 2,30/2,50m



For an unforgettable, dazzling and original reception

Frame

- Portals, gables and intermediate frames in anodised aluminium profile
- Base plates and connection pieces in galvanised steel
- Adjustable gable column feet
- Roof and lateral bracing by diagonal bar in aluminium

Tension

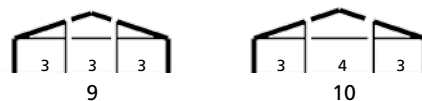
- Roof tension by steel bar and cam system
- Wall tension by ground rail in pre-galvanised steel

Covers

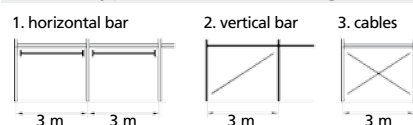
- PVC coated polyester fabric, white translucent, flame retardant to M2 French standard
- Roof covers with sleeves and scalloped valance
- Gable triangle without vents in one piece
- Lateral walls split centrally, with tiebacks, outside lacing, exterior sleeve and mud flap

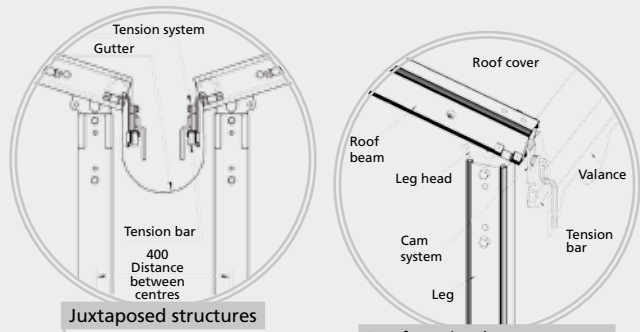


Gable bay



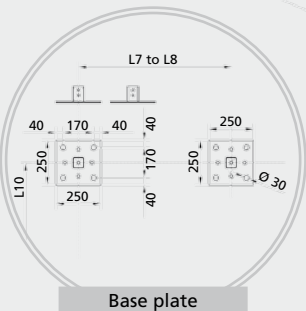
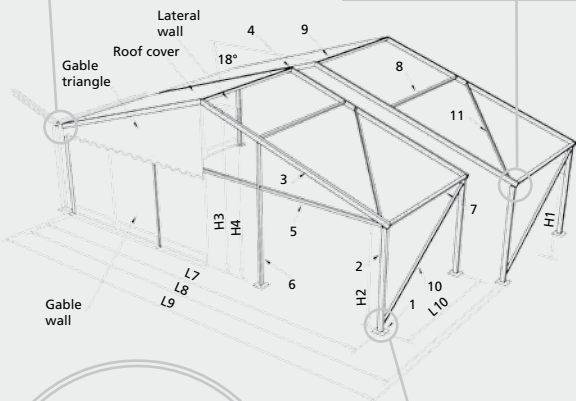
Various type of lateral bracing



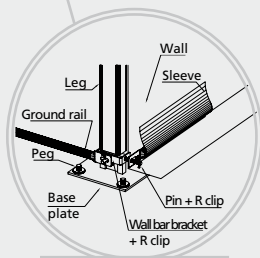


Juxtaposed structures

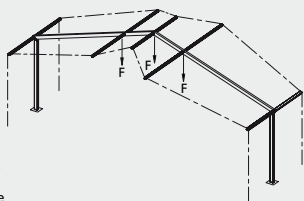
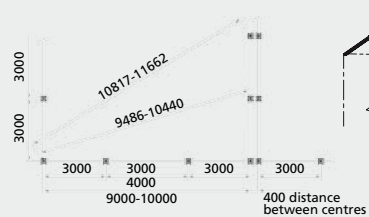
Roof tension by cam system



Base plate



Wall tension



Load Bearing	Height 2,3-2,5 m
With snow	F = 0 kg
Without snow	F = 60 kg

Specifications		9 m	10 m
		ht 2,3 / ht 2,5	ht 2,3 / ht 2,5
Span	L7 to L8	9	10
Overall width	L9	9,25	10,25
External lateral height		2,32 / 2,52	2,32 / 2,52
Internal lateral height	H2	2,23 / 2,43	2,23 / 2,43
External ridge height	H4	3,81 / 4,01	3,98 / 4,18
Internal ridge height	H3	3,66 / 3,86	3,83 / 4,03
Height at gable cross beam		2,22 / 2,42	2,22 / 2,42
Under eave height	H1	2,25 / 2,45	2,25 / 2,45
Lateral bay	L10	3	3
Gable bay		3/3/3	3/4/3
Roof pitch		18°	18°
Base plate	1	250 x 250	250 x 250
Leg	2	100 x 65	100 x 65
Roof beam	3	100 x 65	100 x 65
Apex joint	4		
Gable cross beam	5	65 x 50	65 x 50
Gable column	6	65 x 50	65 x 50
Eave purlin	7	65 x 50	65 x 50
Intermediate purlin	8	40 x 40	40 x 40
Ridge purlin	9	40 x 40	40 x 40
Number of purlins per bay		5	5
Diagonal bracing bar	10	40 x 40	40 x 40
Diagonal purlin	11	40 x 40	40 x 40

Erection / Dismantling	9 x 9 x 2,3 m	10 x 24 x 2,3 m
Number of people	3	3
Total duration of erection	2 h	4,3 h
Necessary equipment provided with frame	1 toasting fork - 1 measuring bar - 2 ropes	
Necessary equipment not provided	2 no. 3 m ladders - 1 no. 20 m measuring tape - sledgehammers - hammers - adjustable spanners	
Time saved for dismantling	15 to 20%	

Anchoring / Weighting	Anchoring			Weighting	
	Uplift force kg	Coef.	Number of pegs	Uplift force kg	Coef.
Structure 9 and 10 m	740	2	2 lg 500	610	1,65